



Plate placement

Lunaway's fireplace plates are not only a valuable ornament, but they also add life to the fireplace thanks to the prestigious qualities of cast iron, which stores and reflects heat for a long time even after the fire has been extinguished.

In order to make the most of the heat of your fireplace, we recommend covering it entirely in cast iron. This will protect both the firebox area, preventing the interior from crumbling, and the walls, which will no longer absorb dispersed heat.

As a rule, the suggested height is at least 50 cm, enough to cover the open flame, but if the fireplace allows it, it is advisable to install higher front plates so as to better recover the heat, including that of the fumes, and to completely cover the masonry or refractory part for an optimal aesthetic result.

Discover our products:
www.lunaway-fireplace.com

FIND OUR WEBSITE

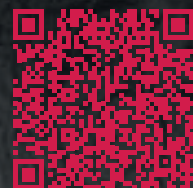
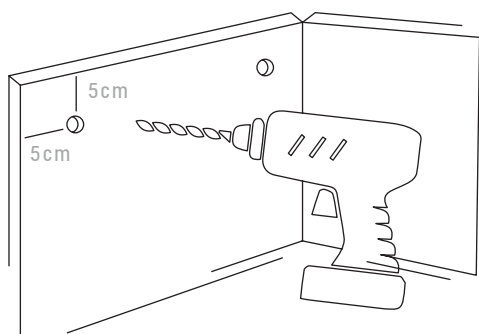
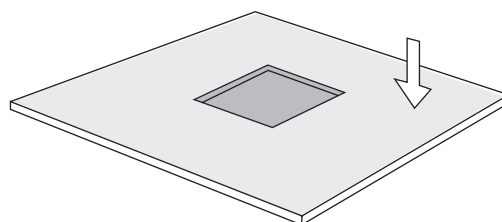


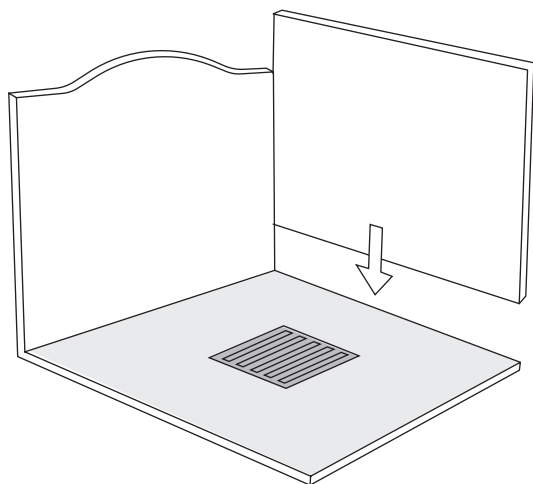
Plate placement example



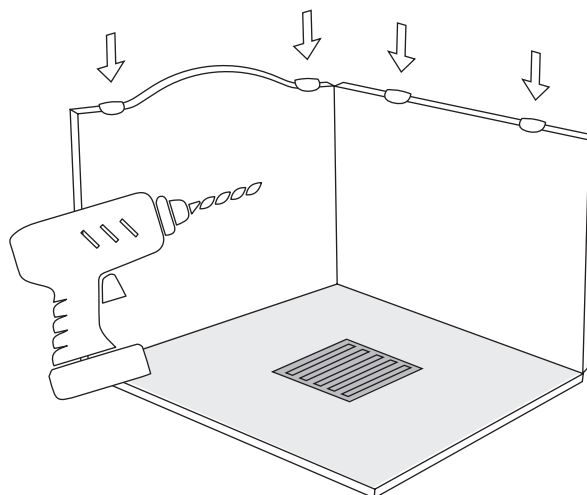
01. *BASE PLATE POSITIONING*



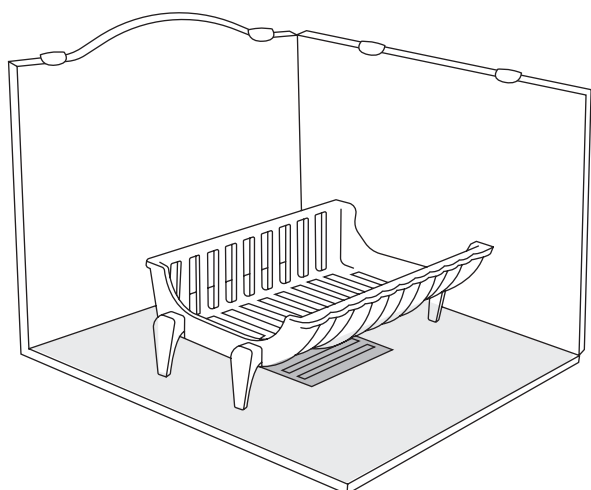
02. *SIDE PLATES POSITIONING AND GRID PLACEMENT*



03. *FIXING PLATES WITH BRACKETS*



04. *FIRE-WOOD HOLDER POSITIONING*



05. *CREATE YOUR WARM ATMOSPHERE*

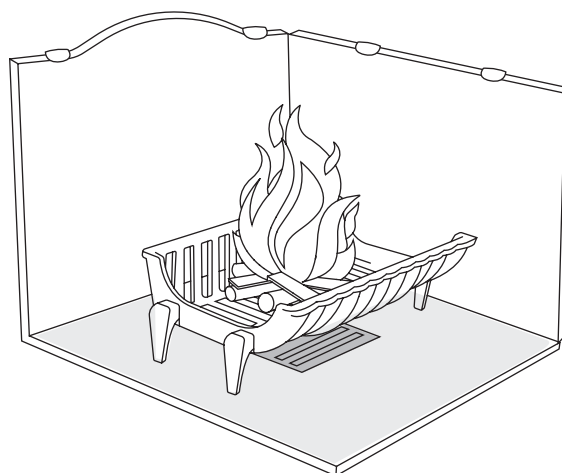


Plate Fixing

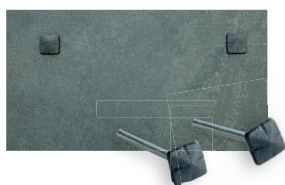
For correct installation, it is recommended that the base be fitted first and then the gables and side panels. The base does not need to be fixed, its own weight is sufficient. However, it must be placed flat and, if necessary, a bed of sand should be placed on it, which will help to level it and enhance the heat refraction properties of the cast iron.

If we want to use **GRAPIN** or **GRASTAR**, we must first drill holes in the top of the plate with a diameter 11 iron drill bit (or request

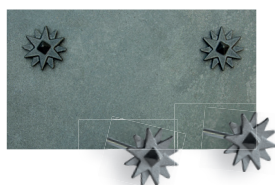
drilling when ordering), then insert the brackets and clamp the plate. If you want to install plates with a negative inclination, holes must be drilled in all 4 corners. The plates can be fixed in different ways.

With **GRA** or **GRALILY** clamps we will position the plates slightly inclined and after having made the holes in the refractory, we will insert the clamps and clamp the plate leaving a tolerance of a few millimetres for expansion.

GRAPIN / CAST IRON



GRASTAR / CAST IRON



GRALILY / CAST IRON



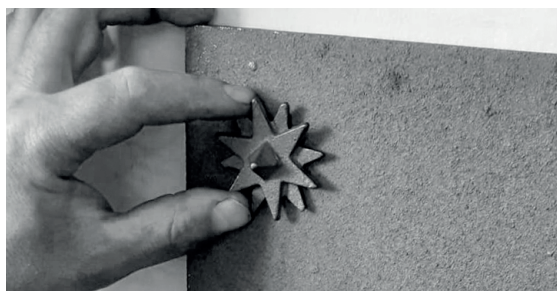
GRALILY / GALVANISED STEEL



Cast iron plates drilling

It is possible to drill holes in cast iron with a standard drill and a steel drill bit. The diameter of the hole must be 11 mm in order to allow for expansion during use of the fireplace. The 2 holes will be positioned 5 cm from the upper edge and 5 cm from the outer edge.

EXAMPLE 1



EXAMPLE 2



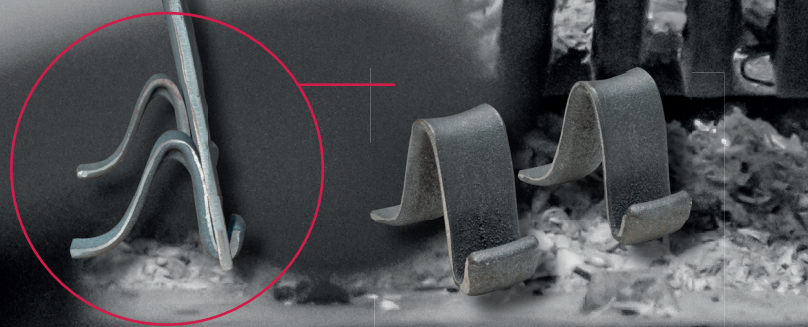


DETAIL
POSITIONING
FEET



 FEET / CAST IRON

Alternatively, the plates can be inserted into fireplaces with the FEET cast iron supports, which do not require any fixing.



CONTACTS

ph. +39 0761 18.70.772

e-mail: info@lunaway.it

website: lunaway-fireplace.com

FIND OUR WEBSITE

